

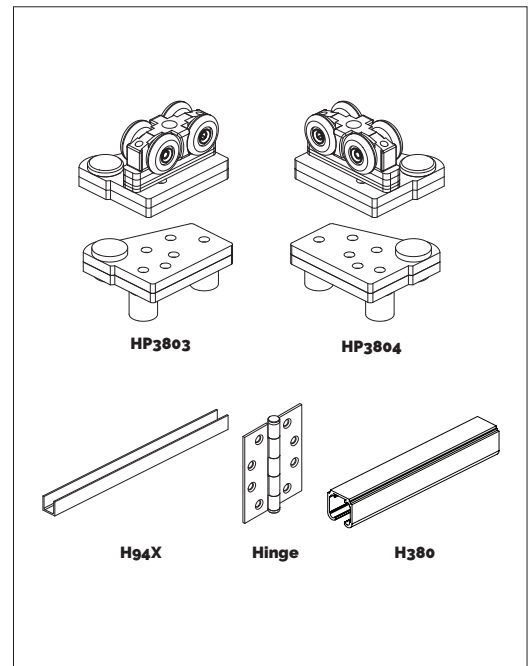
# TIMBAFOLD

# HENDERSON

## For top hung exterior folding doors and windows. 33-40kg each leaf.

### APPLICATION

- For residential folding doors and windows where waterproofing of the opening is required



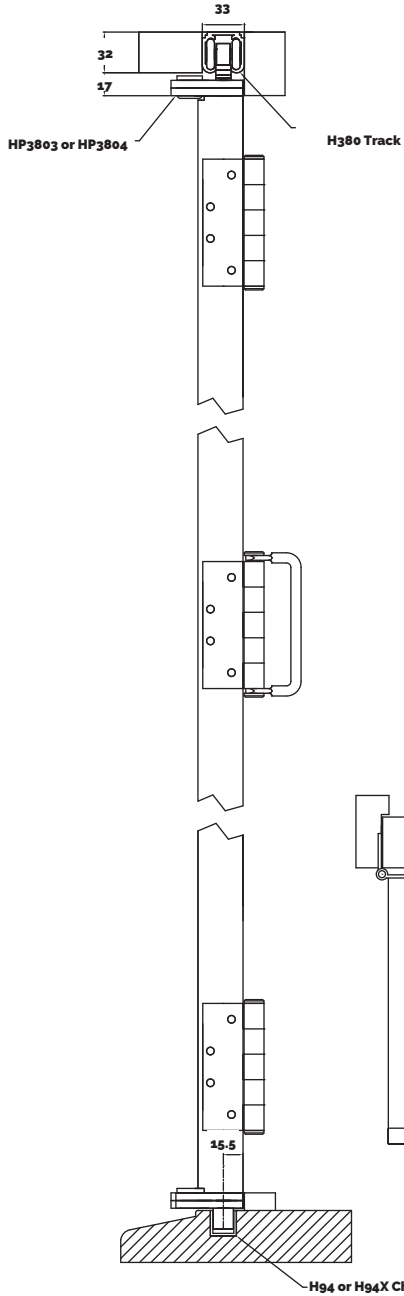
HARDWARE SPECIFICATION		
<b>Track</b>	H380	Aluminium mill (2000, 3000, 4000 & 6000mm lengths) Soffit fix spacing 600mm centres (maximum)
<b>Hanger Sets</b>	HP3801	Left hand - window application (incl. hanger and guide)
	HP3802	Right hand - window application (incl. hanger and guide)
	HP3803	Left hand - door application (incl. hanger and guide)
	HP3804	Right hand - door application (incl. hanger and guide)
<b>Hinge Sets (to suit 2 panels)</b>	HP75*	Window hinge pack, 75 x 63mm (includes 5 hinges and 1 hinge handle)
	HP100*	Door hinge pack, 100 x 75mm (includes 5 hinges and 1 hinge handle)
	* Select finish: Stainless steel (SS), polished brass (PB)	
<b>Channels</b>	H94X	Aluminium (2000, 3000, 4000 & 6000mm lengths)
	H94P	Polypropylene (2000, 3000, 4000 & 6000mm lengths)
<b>Accessories</b>		
<b>Individual Hinges</b>	H75X63FP*	Window hinge, 75 x 63mm fixed pin
	H75X63DH*	Window hinge handle, 75 x 63mm
	H100X75FP*	Door hinge, 100 x 75mm fixed pin
	H100X75DH*	Door hinge handle, 100 x 75mm
* Select finish: Stainless steel (SS), polished brass (PB)		
<b>Individual Components</b>	HC2440	Tophanger LH window
	HC2441	Tophanger RH window
	HC2442	Bottom guide LH window
	HC2443	Bottom guide RH window
	HC2450	Tophanger RH window
	HC2451	Tophanger LH window
	HC2452	Bottom guide RH window
HC2453	Bottom guide LH window	

DOOR SPECIFICATION		
Track System	Timbafold (Window)	Timbafold (Door)
For Individual Doors:		
Max Panel Height	2100mm	2700mm
Max Panel Weight	30kg (or 20kg for units with a swing sash)	40kg (or 33kg for units with a swing door)
Max Panel Width	760mm (or 660mm for swing sash)	810mm
Max Panel Thickness	35-40mm	35-40mm
Max Number of Panels	6 each direction	6 each direction
Folding units of up to six leaves can be hinged to post. Floating units consisting of four or six panels.		

# TIMBAFOLD

**DRAWING IS  
NOT TO SCALE**

## Door Application



## Window Application

